

---

Continuous Flow Through (CFT) Vermicomposting System



**OPERATING INSTRUCTIONS & USER MANUAL**

# Contents

- Introduction and product overview ..... 4
- In the box: ..... 4
- Assembly instructions. .... 5
- Positioning and Operation ..... 6
- Maintenance ..... 6
- Warranty ..... 7
- Troubleshooting ..... 7
- Customer support. .... 7

## **⚠ WARNING**

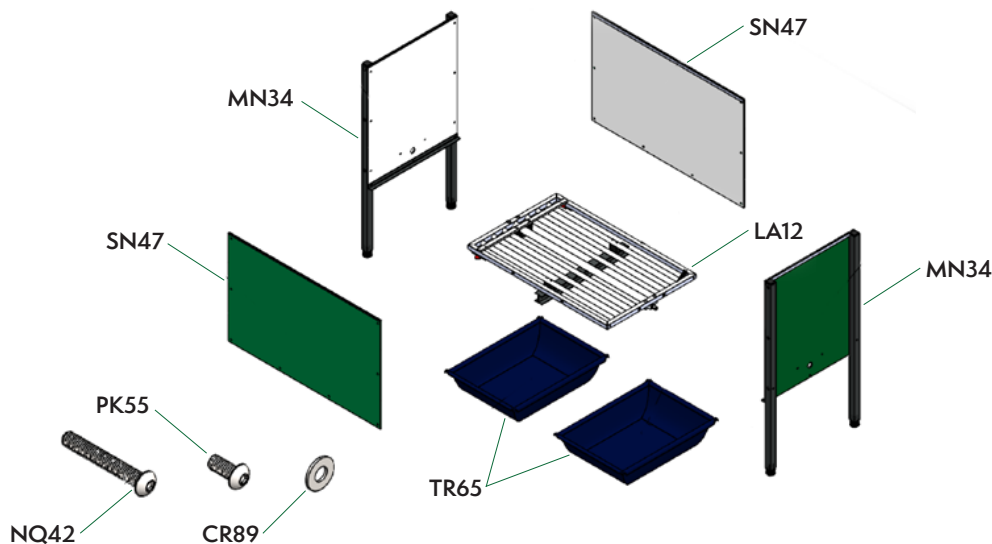
- Thoroughly read and understand the information in this product manual before attempting to use this product. If the procedures and instructions in this product manual are not followed, serious injury could occur.
- To prevent serious injury:
  - Never run the blade past the marked red stop line on either end of the bin.
  - Never reach under the bin while operating the harvesting mechanism.
  - Always set up the bin on a level surface for stability. Leveling feet are for small adjustments only.
  - The VermiFlow is designed and intended to be used only for its specified purpose as described in the product documentation. Any use of the product outside of its intended purpose may result in damage to property or injury to individuals, and the manufacturer will not be held liable for such incidents. It is the responsibility of the user to ensure that the product is used only as intended and in accordance with the instructions provided.

# Introduction and product overview

The Hiwasee Products VermiFlow is a Continuous Flow Through (CFT) vermicomposting system (compost and worms not included). The (40" L x 25½" W x 25½" H) bin holds 14 cubic feet of compost. Finished vermicompost is harvested from the bottom of the bin using a blade powered by a cordless screwdriver (not included).

## In the box:

Components	Quantity	Part number
Grate and acme assembly	1	LA12
End panel assembly	2	MN34
Side panel assembly	2	SN47
Harvesting bin	2	TR65
Lid	1	JD91
40"x15" rice paper	2	TY89
5/16-18 x ¾" stainless steel bolt	20	PK55
5/16-18 x 2¼" stainless steel bolt	4	NQ42
5/16 stainless steel washer	24	CR89
¾" hex driver	1	XI59
3/16" hex key assembly tool	1	AD51



# Assembly instructions



See the assembly video here:  
[hiwasseeproducts.com/products/vermiflow-cft](http://hiwasseeproducts.com/products/vermiflow-cft)

1. Remove all components from the box.

**Note:** A separate box containing hardware, leveling feet, and assembly tools is included.

2. **Figure 1:** Thread the four leveling feet (A) into the legs, all the way up to the locking nut.
3. **Figure 2:** Place the grate on its side with a piece of cardboard underneath to protect the red knife indicators (B). Attach one end panel to the grate, green side out, using two 2 ¼" bolts, two ¾" bolts and four washers. Thread the bolts in loosely to secure the panel in place before tightening them using the 3/16" hex key provided. Repeat these steps on the other end.
4. **Figure 3:** Stand the bin on its feet. Fasten the side panels to the assembly with the remaining bolts and washers, green side out. Starting with the top corners and working down, thread the bolts in loosely to secure the panel in place before tightening them using the 3/16" hex key provided. The bolts should be tight but not so tight as to indent the surface of the panel.
5. **Figure 4:** Slide the two harvesting bins into the slots under the VermiFlow. Place the rice paper across the grate, and put the lid in place.
6. Level the bin by adjusting the four leveling feet using a 9/16" wrench (not included).

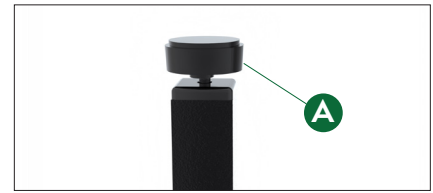


Figure 1

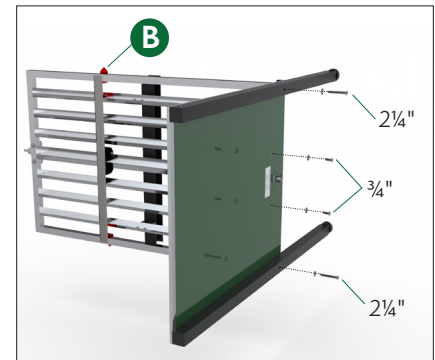


Figure 2



Figure 3



Figure 4

# Positioning and Operation

## Positioning

Position the VermiFlow in such a way that the harvesting bins can easily be removed, and you can access at least one end of the bin to attach a cordless screwdriver for harvesting.

## Operation

To operate the harvesting knife, attach a cordless screwdriver to one of the hex heads on either end of the acme screw using the supplied  $\frac{3}{4}$ " hex drive. Run the knife blade to the far end of the bin until the knife indicator reaches the STOP label, reverse direction and return the blade to the other STOP label. Ensure that two harvesting totes are centered underneath the bin before beginning to harvest.

The lid hangs on the side of the bin when not in use.

### NOTICE

To avoid damaging the blade, never put rocks, sticks or other large objects into the vermicompost bin.

See the included "For Best Results" document for other vermicomposting tips.



See the document here:

[hiwasseeproducts.com/pages/for-best-results-vermiflow](http://hiwasseeproducts.com/pages/for-best-results-vermiflow)

## Maintenance Figure 5

Lubricate the acme screw twice monthly or as necessary to prevent rust and reduce friction. Remove the bins to access the acme screw. Lubricant should also be added to the screw and drive points at both ends. We recommend using a standard grease and lubricant product such as White Lithium Grease, preferably aerosol grease products.

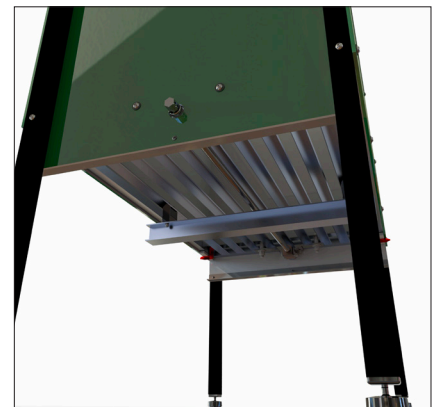


Figure 5



# Warranty



See *Hiwasee Products Standard Terms and Conditions Governing the Sale of Products* website for warranty information.

[hiwaseeproducts.com/pages/terms-conditions](http://hiwaseeproducts.com/pages/terms-conditions)

# Troubleshooting Figure 6

Potential problems	Solution
The cordless screwdriver is not able to drive the harvesting knife.	Heavily lubricate the acme screw (C) and let it sit for 5 minutes before trying again.
	Reverse the direction of the cordless screwdriver a few times. This will aid in freeing up a possible jam in the harvesting knife caused by a larger input material.
The lid does not fit after the bin is assembled.	Uneven surfaces may cause the bin to be out of square. Adjust the leveling feet (D) to square the top of the bin until the lid fits.

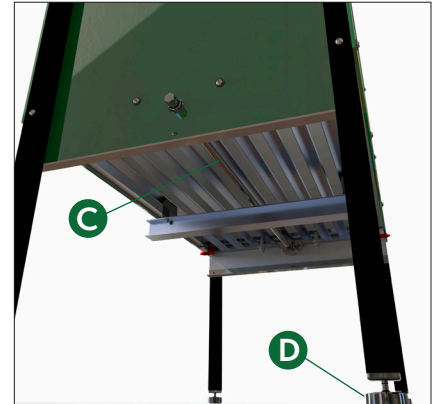


Figure 6

# Customer Support:

**Phone:** (423) 436-0502

**Email:** [info@hiwaseeproducts.com](mailto:info@hiwaseeproducts.com)

